

SmartWAVE™ Low Profile Airpot Coffee Brewer

Features



Model WAVE-S-BF-APS with Deluxe 1.9L Thermal Carafe

(thermal carafe sold separately)

Dimensions: 16.9" H x 8.7 W x 17.1" D

(43cm H x 22.2cm W x 43.5cm D)

Low Profile Airpot Coffee Brewer - Silver Version

- Brews 3.9 to 6.4 gallons (14.8 to 24.2 litres) of perfect coffee per hour.
- Brew into 1.9L thermal carafe using the slide-out booster tray.
- Adjustable legs to accommodate up to 3.0L* lever action and 2.5L push button BUNN airpots (refer to usage table).
- SmartWAVE™ technology increases turbulence in the brew funnel.
- Convenient airpots keep coffee hot and fresh for hours and are easily transported to remote serving areas.
- Ensures coffee brew quality with cold brew lock out capability.
- Hot water faucet.
- SplashGard® funnel deflects hot liquids away from the hand.
- Energy-saver mode reduces tank temperature during idle periods.
- Analog switches accompanied by red/green LED for programming.
- Red/green LED provide brewer status (ready, heating, brewing).
- Choice of three pulse brew routines to adjust your flavor profile.

*Recommended batch size: 2.5 L or less

For current specification sheets and other information, go to www.bunn.com.

Related Products

Easy Clear® EQ-17-TL

Product No. : 30200.1000

Dimensions:

12⁷/₁₆" H x 2¹/₂" W x 3" D

31.6 cm H x 6.35 cm W x 7.62 cm D



Easy Clear® ED-17-TL

Product No. : 30201.1001

Dimensions: 8¹/₄" H x 2⁵/₁₆" Dia.

20.95 cm H x 5.87 cm Dia.

Paper Filter Pack

Product No. : 20115.0000

Packed per case: 1,000

Dimensions: 4¹/₄" Base x 2³/₄" Sidewall

10.8 cm Base x 6.98 cm Sidewall



2.2 liter Push-Button Airpot

Product No. : 28696.0002

Capacity: 74 oz. (2.19 L)



2.5 liter Push-Button Airpot

Product No. : 13041.0001

Capacity: 84 oz. (2.48 L)

2.5 liter Lever-Action Airpot

Product No. : 32125.0000

Capacity: 84 oz. (2.48 L)

3.0 liter Lever-Action Airpot

Product No. : 32130.0000

Capacity: 102 oz. (3.0 L)



Deluxe 1.9L Thermal Carafe

Product No. : 36029.0001

Capacity: 64 oz. (1.9 L)



Economy 1.9L Thermal Carafe

Product No. : 40163.0000

Capacity: 64 oz. (1.9 L)



1.9L Thermal Pitcher

Product No. : 39430.0000

Capacity: 64 oz. (1.9 L)



Dimensions & Specifications


| Model | Product # | Volts | Amps | Total Watts | Brewing Capacity | Shipping Weight | Cord Attached | Agency |
|---------------|------------|---------|-------|-------------|--|----------------------|---------------|--------|
| WAVE-S-BF-APS | 39900.0002 | 220-230 | 8-8.5 | 1800-2000 | 5.4 gal./hr. 220V (20.4 L/hr.) 220V 5.9 gal./hr. 230V (22.3 L/hr.) 230V | 24.2 lbs. (11 kg) | Yes/Euro Plug | CE |

Brewing capacity: based upon incoming water temp of 60°F (140°F rise) per 1/2 gallon brew time of 4 minutes.

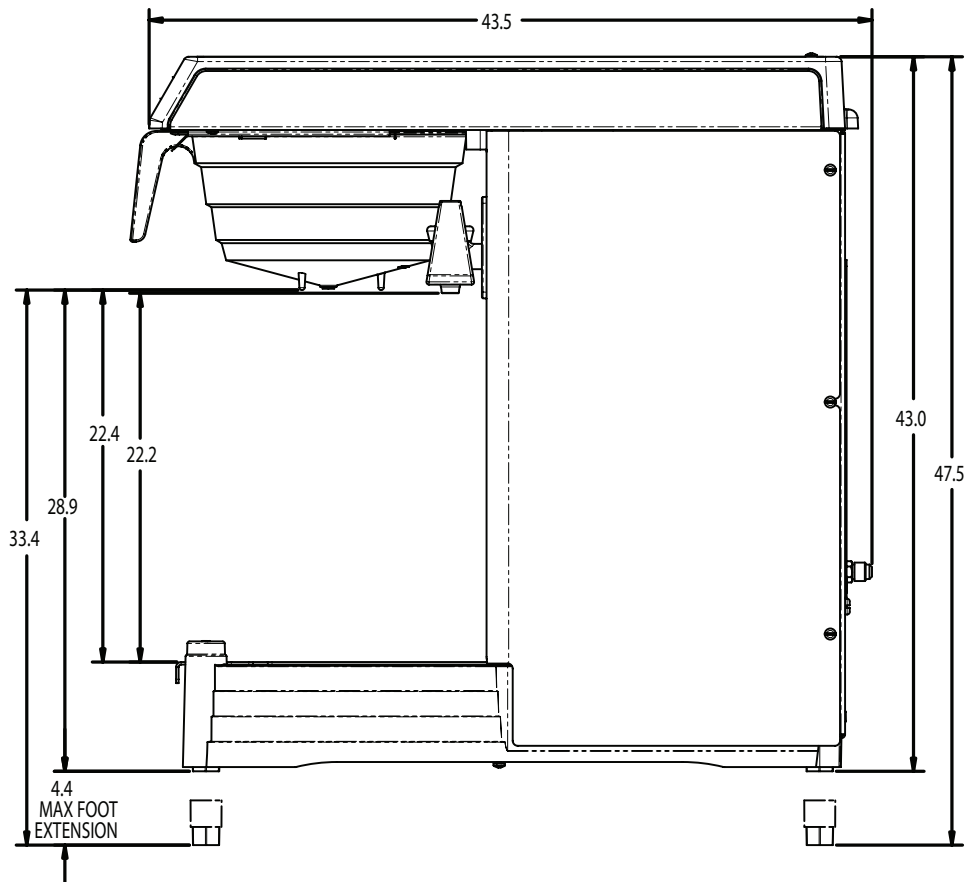
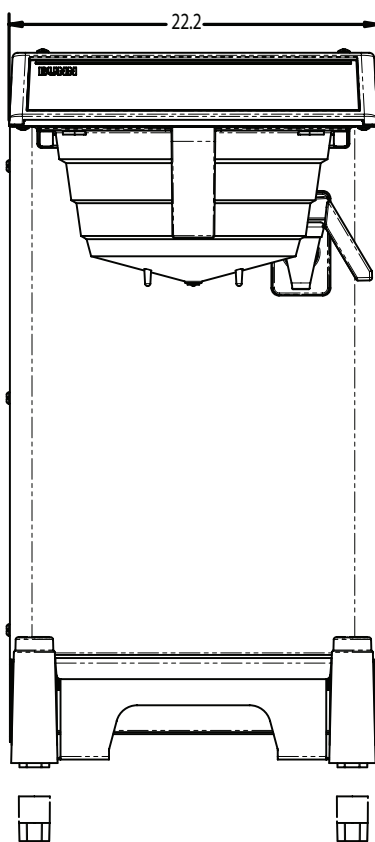
Electrical: 230V, requires 2-wires plus ground service rated 230V, single phase, 50/60 Hz.

Plumbing: 20-90 psi (138-621 kPa). Supplied with 1/4" male flare fitting. Tank Capacity: 155 oz. (4.58 L)

Airpot/Carafe/Pitcher Usage Table

|  Legs extended to accommodate 2.5L push-button airpot | Brewer Position | BUNN Part # | Description | Brewer Height | Approximate Adjustment |
|--|---------------------------|-----------------------------|----------------------------|---------------|------------------------|
| | Using thermal carafe tray | 36029.0001 | 1.9L deluxe thermal carafe | 16.9" | N/A |
| Using thermal carafe tray | 40163.0000 | 1.9L economy thermal carafe | 16.9" | N/A | |
| LP feature (Lowest) | 39430.0000 | 1.9L thermal pitcher | 16.9" | N/A | |
| LP feature (Lowest) | 32125.0000 | 2.5L lever-action airpot | 16.9" | N/A | |
| Extend legs | 32130.0000 | *3.0L lever-action airpot | 17.5" | .6" | |
| Extend legs | 28696.0002 | 2.2L push-button airpot | 18" | 1" | |
| Extend legs | 13041.0001 | 2.5L push-button airpot | 18.5" | 1.5" | |

*Recommended batch size: 2.5 liters or less



Bunn-O-Matic® Corporation - 1400 Stevenson Drive Springfield, Illinois 62703 • USA • +1-217-529-6601 • Fax +1-217-529-6644 • www.bunn.com

BUNN® practices continuous product research and improvement. We reserve the right to change specifications and product design without notice. Such revisions do not entitle the buyer to corresponding changes, improvements, additions or replacements for previously purchased equipment.

All dimensions shown in centimeters.

3/08 © Bunn-O-Matic Corporation