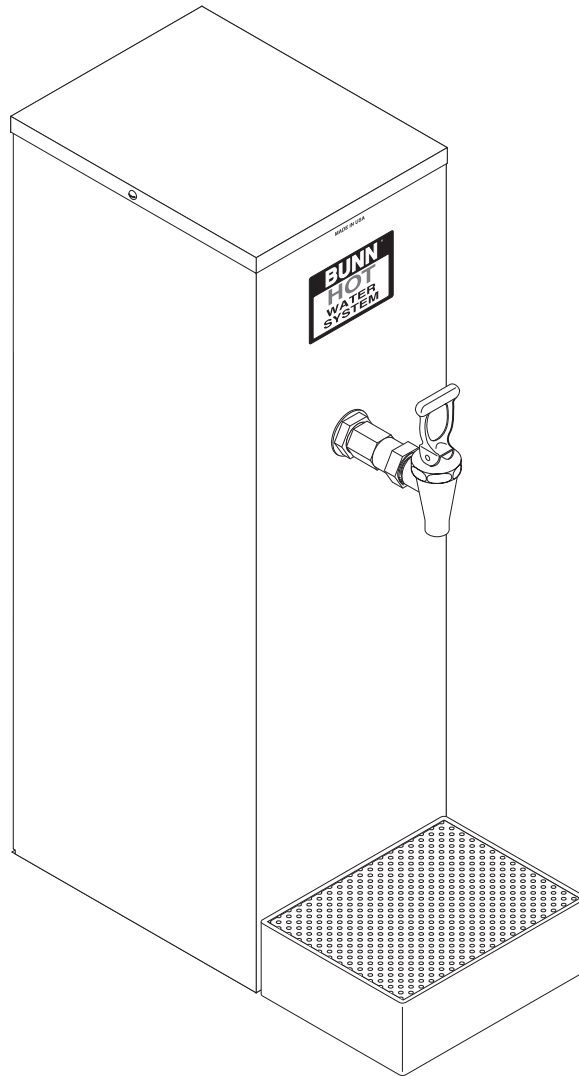


# **BUNN**®

# *HW2* *HW2A*



## **ILLUSTRATED PARTS CATALOG**

Designs, materials, weights, specifications, and dimensions for equipment or replacement parts are subject to change without notice.

**BUNN-O-MATIC CORPORATION**  
POST OFFICE BOX 3227  
SPRINGFIELD, ILLINOIS 62708-3227  
PHONE: (217) 529-6601 FAX: (217) 529-6644

## BUNN-O-MATIC COMMERCIAL PRODUCT WARRANTY

Bunn-O-Matic Corp. ("BUNN") warrants equipment manufactured by it as follows:

- 1) All equipment other than as specified below: 2 years parts and 1 year labor.
- 2) Electronic circuit and/or control boards: parts and labor for 3 years.
- 3) Compressors on refrigeration equipment: 5 years parts and 1 year labor.
- 4) Grinding burrs on coffee grinding equipment to grind coffee to meet original factory screen sieve analysis: parts and labor for 3 years or 30,000 pounds of coffee, whichever comes first.

These warranty periods run from the date of installation BUNN warrants that the equipment manufactured by it will be commercially free of defects in material and workmanship existing at the time of manufacture and appearing within the applicable warranty period. This warranty does not apply to any equipment, component or part that was not manufactured by BUNN or that, in BUNN's judgment, has been affected by misuse, neglect, alteration, improper installation or operation, improper maintenance or repair, damage or casualty. This warranty is conditioned on the Buyer 1) giving BUNN prompt notice of any claim to be made under this warranty by telephone at (217) 529-6601 or by writing to Post Office Box 3227, Springfield, Illinois 62708-3227; 2) if requested by BUNN, shipping the defective equipment prepaid to an authorized BUNN service location; and 3) receiving prior authorization from BUNN that the defective equipment is under warranty.

**THE FOREGOING WARRANTY IS EXCLUSIVE AND IS IN LIEU OF ANY OTHER WARRANTY, WRITTEN OR ORAL, EXPRESS OR IMPLIED, INCLUDING, BUT NOT LIMITED TO, ANY IMPLIED WARRANTY OF EITHER MERCHANTABILITY OR FITNESS FOR A PARTICULAR PURPOSE.** The agents, dealers or employees of BUNN are not authorized to make modifications to this warranty or to make additional warranties that are binding on BUNN. Accordingly, statements by such individuals, whether oral or written, do not constitute warranties and should not be relied upon.

If BUNN determines in its sole discretion that the equipment does not conform to the warranty, BUNN, at its exclusive option while the equipment is under warranty, shall either 1) provide at no charge replacement parts and/or labor (during the applicable parts and labor warranty periods specified above) to repair the defective components, provided that this repair is done by a BUNN Authorized Service Representative; or 2) shall replace the equipment or refund the purchase price for the equipment.

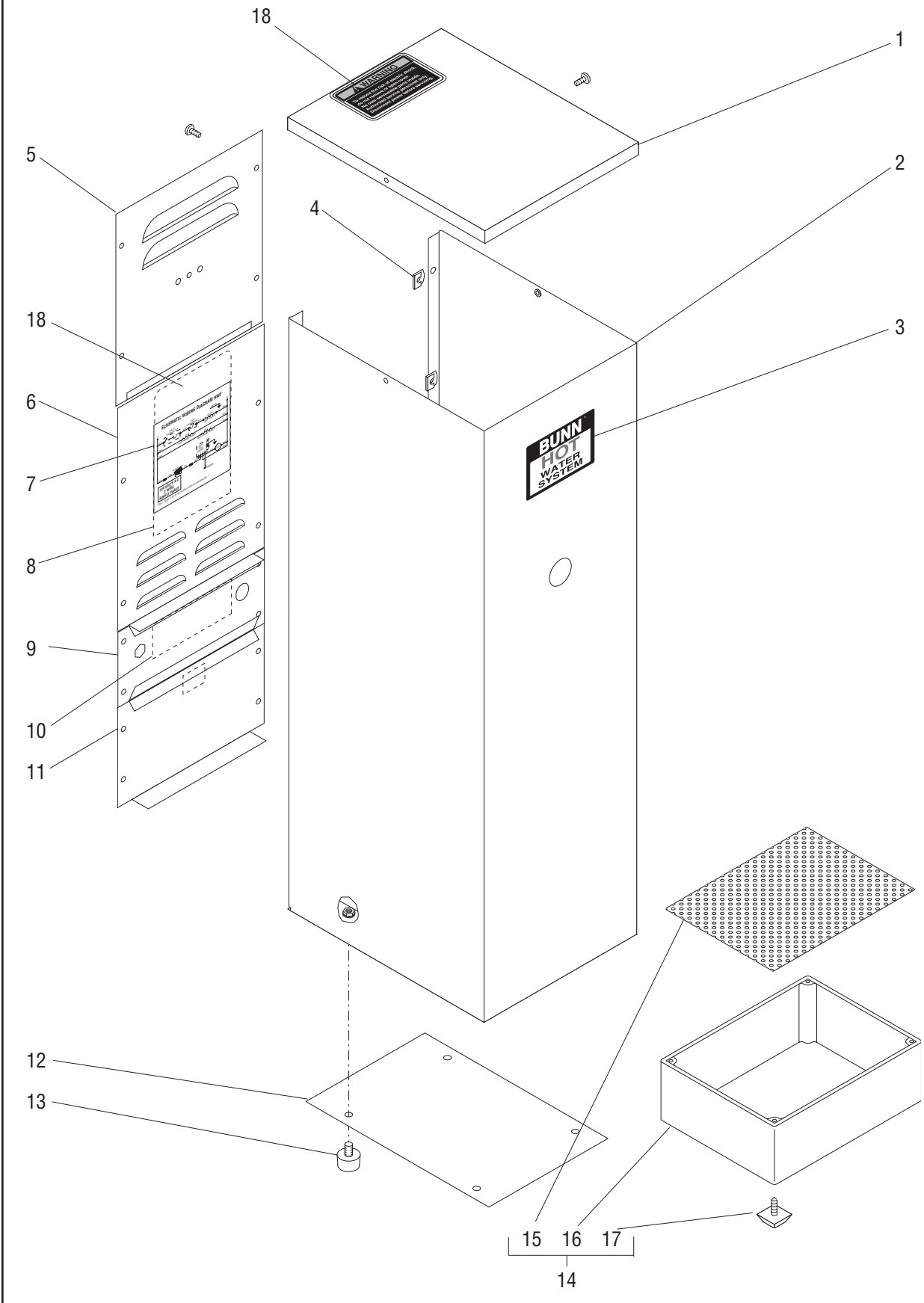
**THE BUYER'S REMEDY AGAINST BUNN FOR THE BREACH OF ANY OBLIGATION ARISING OUT OF THE SALE OF THIS EQUIPMENT, WHETHER DERIVED FROM WARRANTY OR OTHERWISE, SHALL BE LIMITED, AT BUNN'S SOLE OPTION AS SPECIFIED HEREIN, TO REPAIR, REPLACEMENT OR REFUND.**

In no event shall BUNN be liable for any other damage or loss, including, but not limited to, lost profits, lost sales, loss of use of equipment, claims of Buyer's customers, cost of capital, cost of down time, cost of substitute equipment, facilities or services, or any other special, incidental or consequential damages.

BrewWISE, BUNN Gourmet Ice, BUNN Pour-O-Matic, BUNN, Bunn-OMatic, Bunn-O-Matic, BUNNlink, BUNNserve, BUNN Espresso, DBC, Dr. Brew, Dual, EasyClear, EasyGard, Easy Pour, FlavorGard, Gourmet Ice, Gourmet Juice, High Intensity, IMIX, Infusion Series, Legendary for Quality, The Mark of Quality in Beverage Equipment Worldwide, My Café, Power-Logic, Safety-Fresh, Scale-Pro, Single, Smart Funnel, Smart Hopper, Soft Heat, SplashGard, System III, ThermoFresh, 392, AXIOM, Beverage Profit Calculator, Beverage Bar Creator, BrewLOGIC, BrewMETER, BrewWIZARD, BUNNSERVE, BUNNsource, Coffee At Its Best, Cool Froth, Digital Brewer Control, Intellisteam, Nothing Brews Like a BUNN, Pouring Profits, Pulse Wave, Quality Beverage Equipment Worldwide, Signature Series, Silver Series, Smart Heat, SmartWAVE, Tea At Its Best, The Horizontal Red Line, Titan, Ultra, are either trademarks or registered trademarks of Bunn-O-Matic Corporation.

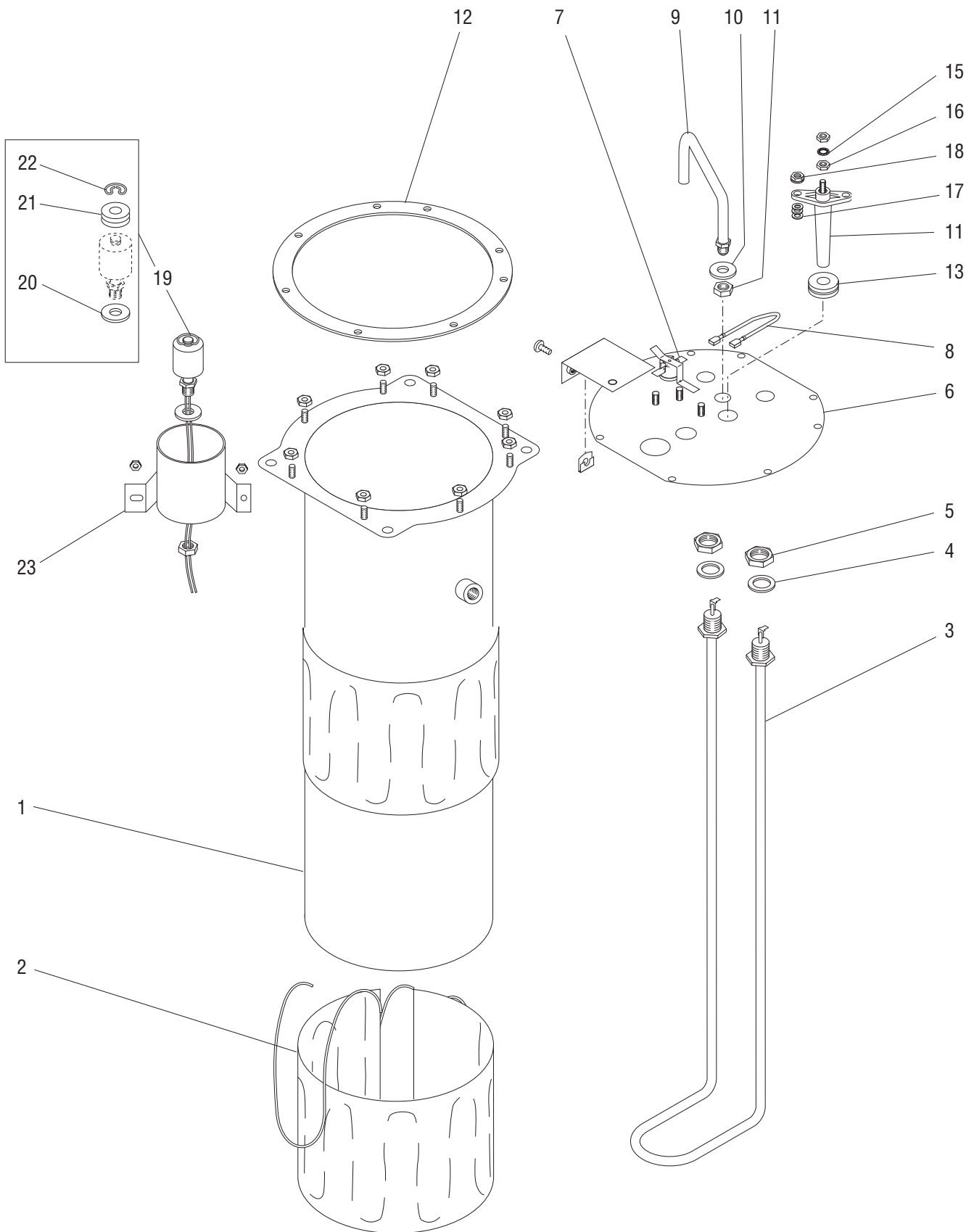
# TABLE OF CONTENTS

ELECTRICAL AND OPERATING CONTROLS .....	14
HOUSING AND COVERS .....	4
NUMERICAL INDEX .....	16
STRAINER/FLOW CONTROL .....	8
TANK AND COMPONENTS .....	6
TANK FAUCET .....	12
THERMOSTAT AND LIQUID LEVEL CONTROL .....	10



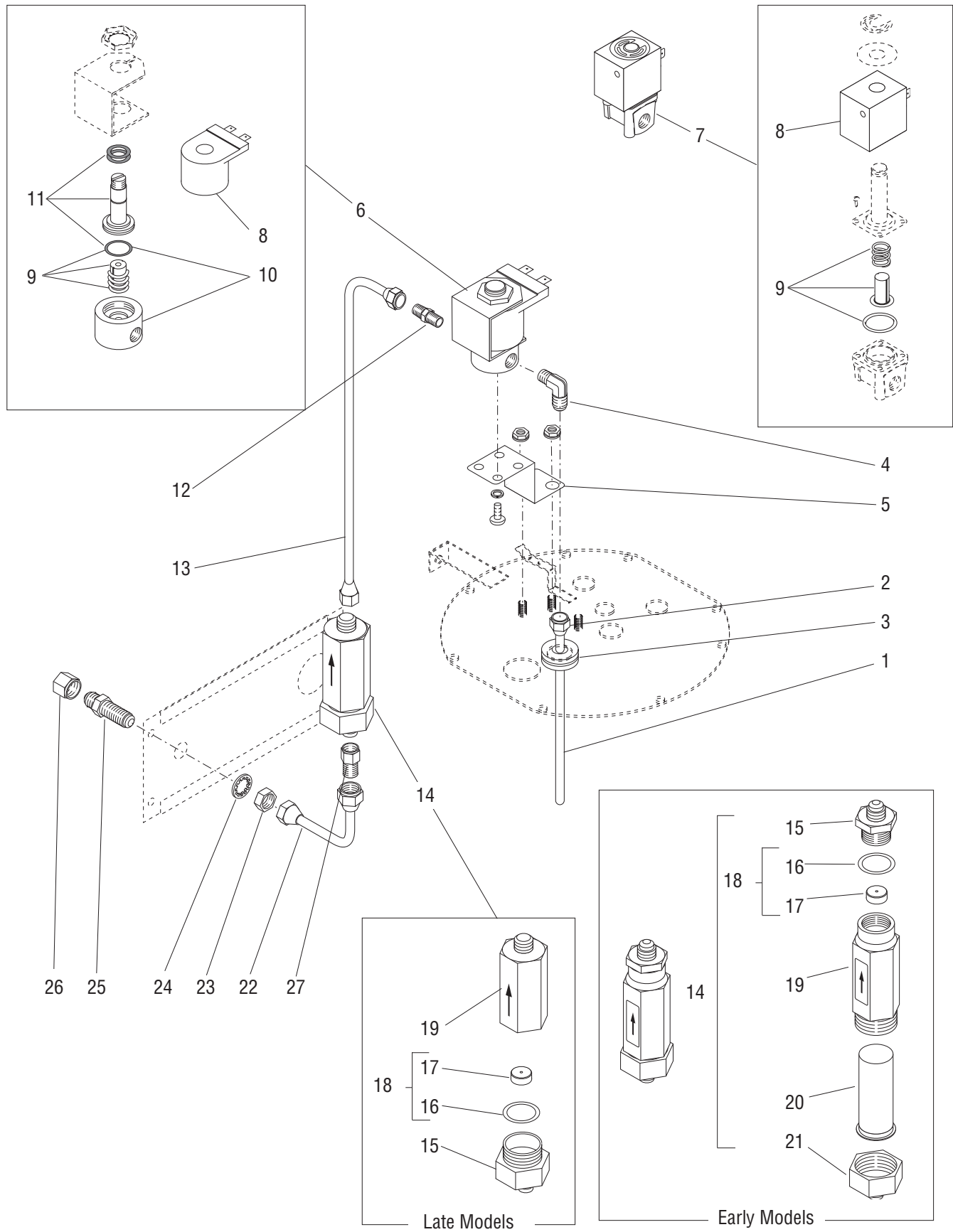
## HOUSING AND COVERS

ITEM	PART NO.	QTY.	DESCRIPTION
1	02506.0000	1	Lid, Top (SST)
	02506.0001	1	Lid, Top (BLK)
	01303.0000	2	Screw, #4-40 x .50"
2	02510.0005	1	Housing (SST)(Also order item 3)
	02510.0006	1	Housing (BLK)(Also order item 3)
3	00657.0000	1	Decal, BUNN HOT WATER
4	00917.0000	16	Clip, "J" Type, #8-32
5	02504.0002	1	Panel (SST)
	02504.0001	1	Panel (BLK)
	01311.0000	4	Screw, #8-32 x .25"
6	28918.0000	1	Panel W/Decals (SST)(Includes item 8. Also order item 7 for Model HW2)
	28918.0001	1	Panel W/Decals (BLK)(Includes item 8. Also order item 7 for Model HW2)
	01311.0000	4	Screw, #8-32 x .25"
7	10261.0000	1	Decal, ELECTRICAL SCHEMATIC (120V)
	10261.0001*	1	Decal, ELECTRICAL SCHEMATIC (240V)
8	00831.0000	1	Decal, ELECTRICAL WARNING
9	02508.0000	1	Panel (SST)(HW2 only. Also order item 10)
	02508.0004	1	Panel (BLK)(HW2 only. Also order item 10)
	02508.0002+	1	Panel (HW2A only)
	01311.0000	4	Screw, #8-32 x .25"
10	00656.0000	1	Decal, PLUMBING CODE
11	02505.0000	1	Panel (SST)
	02505.0001	1	Panel (BLK)
	01311.0000	4	Screw, #8-32 x .25"
12	02507.0001	1	Plate, Bottom
13	25137.0002	4	Foot, Rubber
	00970.0000	4	Nut, KEPS #8-32
14	02497.0000	1	Drip Tray Kit (Includes items 15 thru 17)
15	02546.0000	1	Cover
16	02545.0000	1	Drip Tray
17	02547.0000	4	Foot, Rubber (Early models)
	04198.0001	1	Foot Kit, Rubber (Includes 4 Feet)(Late models)
18	37881.0000	2	Decal, No Serviceable Parts



## TANK AND COMPONENTS

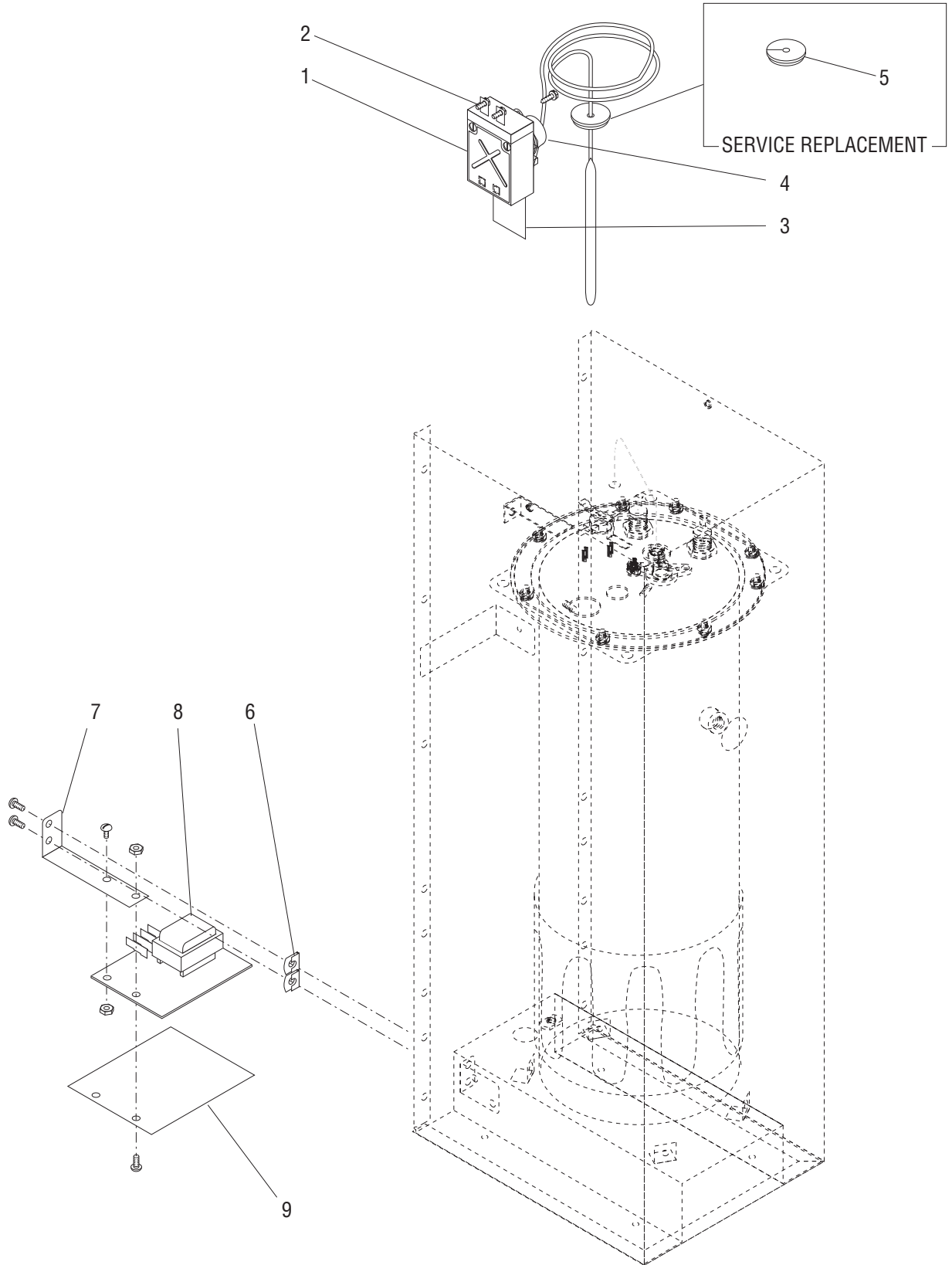
ITEM	PART NO.	QTY.	DESCRIPTION
-	-----	1	Tank Assembly (Includes items 1 thru 12) (Not available. Order components)
	00912.0000	1	Clip "J" Type, #8-32 (Early models only)
	01315.0000	1	Screw, #8-32 x .375" SST
	01317.0005	1	Screw, #8-32 x .375" Blk
1	02515.0007	1	Tank
2	02575.0000	2	Blanket Warmer,120V (HW2 Only)
	01929.0000	2	Blanket Warmer,240V (HW2A Only)
3	02534.1000	1	Tank Heater Kit,120V (HW2 Only)(Includes item 4)
	02494.1000	1	Tank Heater Kit, 230V 1700W (HW2A)(Includes item 4)
	38994.1000	1	Tank Heater Kit, 230V 3000W (HW2A)(Includes item 4)
4	00943.0000	2	Gasket
5	00942.0000	2	Nut, Hex .50"-20
6	02525.0001	1	Lid, Tank
	00908.0000	8	Nut, #8-32
7	29329.1000	1	Thermostat, Limit
8	21016.0008	2	Lead (HW2 Only)
	20211.0100	2	Thermal Cut-off (HW2A Only)
9	02513.0000	1	Tube
10	03633.0000	1	Gasket
11	01075.0000	1	Nut, Hex .438"-20
12	04221.0000	1	Gasket, Tank Lid
13	02536.0000	1	Grommet
14	07048.1000	1	Probe Replacement Kit (Includes items 15 and 16)
15	20203.0100	1	Lockwasher, Internal Tooth #8
16	00908.0000	2	Nut, Hex #8-32
17	01522.0000	3	Washer,Spacer
18	00971.0000	1	Nut, Keps #10-32
19	03803.0000	1	Switch Assy, Level Float (Includes items 20 thru 22)
	00946.0000	1	Nut, Hex .125"-27
20	03633.0000	1	Gasket
21	-----	3	Washer, Adjusting ( <b>DO NOT USE IN THIS APPLICATION</b> )
22	03807.0000	1	Clip, Spring
23	02520.0000	1	Cup, Overflow
	00971.0000	2	Nut, Keps #10-32



P1533

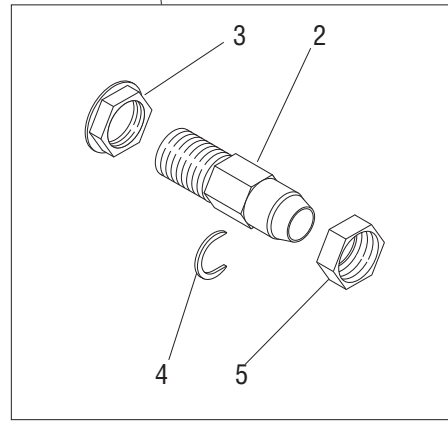
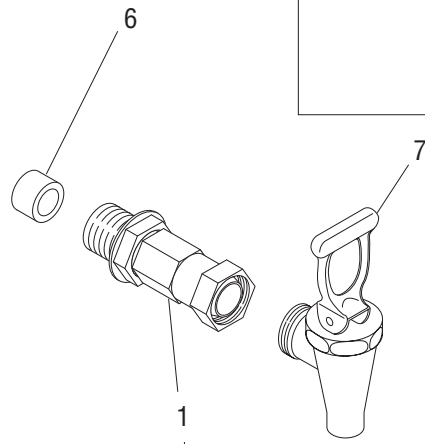
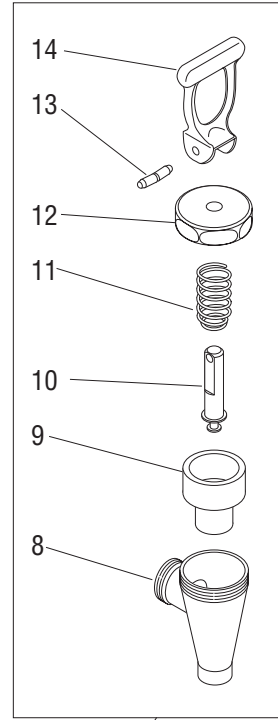
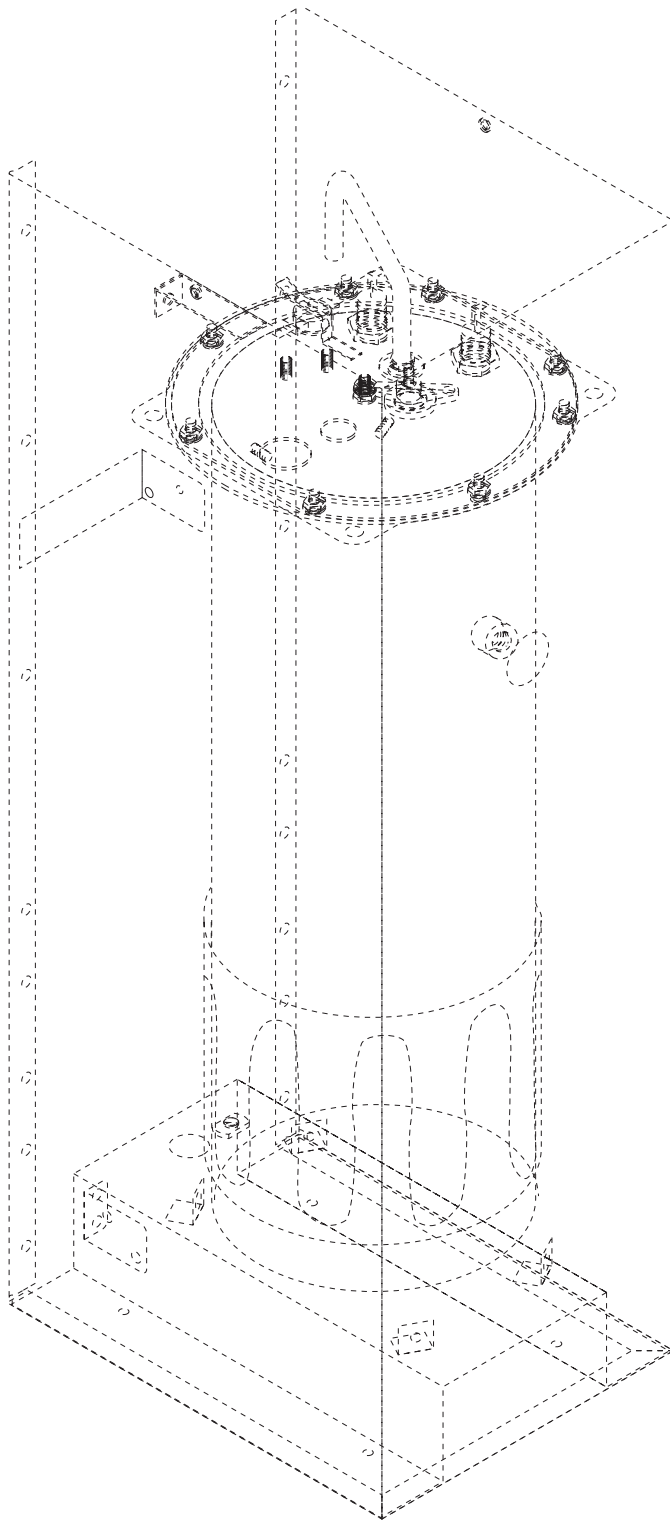
## STRAINER/FLOW CONTROL

ITEM	PART NO.	QTY.	DESCRIPTION
1	02533.0000	1	Tube (Includes item 2)
2	00929.0001	1	Nut, Compression
3	07075.0000	1	Grommet
4	21695.0001	1	Elbow, Compression .38" x .125" MPT
5	28130.0001	1	Bracket, Solenoid Mounting (HW2 only)
	28130.0000	1	Bracket, Solenoid Mounting (HW2A only)
	00971.0000	2	Nut, Keps #10-32
6	-----	1	Solenoid,120V 1.48" Dia. Coil (HW2 only)(Not Available. Order 01085.0002)
	01085.0002	1	Solenoid,120V 1" Dia. Coil (HW2 only)(Includes items 8 thru 11)
	01327.0000	2	Screw, #10-32 x .375"
	01502.0000	2	Lockwasher, #10
7	28005.0000	1	Solenoid, 240V (HW2A only)(Includes items 8 and 9)
	02329.0000	2	Screw,Locking #8-32 x .375"
8	28480.0000	1	Coil 120V (HW2 only)
	28020.0000	1	Coil 240V (HW2A only)
9	01111.0002	1	Solenoid Valve Repair Kit 120V (HW2 only)
	28021.0000	1	Solenoid Valve Repair Kit 240V (HW2A only)
10	28479.0000	1	Base Kit (Includes O-ring) (HW2 only)
11	28481.0000	1	Guide Kit 120V (Includes Washer and O-ring) (HW2 only)
12	00402.0001	1	Connector, Male .25" FLR x .125" MPT
13	21814.0031	1	Tube
14	22300.0750	1	Strainer/Flow Control Assy (.750 GPM)(Includes items 15 thru 21)(Early Models)
	20528.1750	1	Flow Control Assy (.750 GPM)(Includes items 15 thru 19)(Late Models)
15	01154.0000	1	Flow Control Outlet (Early Models)
	01154.0001	1	Flow Control Outlet (Late Models)
16	01155.0000	1	Gasket, Flow Control
17	-----	1	Washer, Flow Control
18	20526.1750	1	Washer/Gasket Assy (Includes item 16 and 17)
19	-----	1	Body (Order item 14)
20	23721.0000	1	Screen
21	22249.0000	1	Cap, End
22	00310.0005	1	Tube (Early Models)(w/Strainer/Flow Control)
	21814.0016	1	Tube (Late Models)(w/Flow Control)
23	00463.0000	1	Nut, Hex .438"-20
24	01532.0000	1	Lockwasher, Internal Tooth .438"
25	00459.0000	1	Fitting, Bulkhead .25" Flare
26	00935.0000	1	Cap, Flare (For Shipping Purposes only)
27	00445.0001	1	Connector .25" male flare x .125"FPT (Late Models)
28	01060.0000	-	Wrench, Solenoid Valve (Not Illustrated)(HW2 only)
	01066.0000	-	Wrench, Spanner (Not Illustrated)(HW2 only)



## THERMOSTAT AND LIQUID LEVEL CONTROL

ITEM	PART NO.	QTY.	DESCRIPTION
1	02542.0000	1	Thermostat Assy (Includes items 2 thru 5)
	02328.0003	1	Screw, #6-32 x .312"
2	20762.0000	2	Screw, #8-32 x .25"
3	10003.0000	1	Tag, Instruction
4	00720.0000	1	Knob
5	07073.0001	1	Grommet
6	00912.0000	2	Clip "J" Type, #8-32
7	02537.0000	1	Bracket
	01315.0000	2	Screw, #8-32 x .375"
8	07074.1000	1	Control Board, Liquid Level (HW2 only)
	07074.1009	1	Control Board, Liquid Level (HW2A only)
	38711.1001	1	Control Board, Liquid Level (HW2A only)(RoHS Compliant)
	01311.0000	2	Screw, #8-32 x .25"
	00970.0000	2	Nut, Keps #8-32
9	07105.0000	1	Shield, Protective



## TANK FAUCET

ITEM	PART NO.	QTY.	DESCRIPTION
1	07061.0000	1	Shank Assy, Faucet (Includes items 2 thru 5)
2	-----	1	Body, Shank (Order item 1)
3	07119.0000	1	Nut, Shank
4	01221.0000	1	C-Ring, Shank
5	01268.0000	1	Nut, Union
6	07079.0000	1	Gasket, Faucet Shank
7	07094.0000	1	Faucet Assy (Includes items 8 thru 14)
8	-----	1	Body, Faucet (Order item 7)
9	00600.0000	1	Cup, Faucet Seat
10	01284.0000	1	Stem W/Pin (Includes item 13)
11	00601.0000	1	Spring, Faucet
12	07127.0000	1	Nut, Faucet Bonnet
13	01219.0000	1	Pin, Faucet Handle
14	07099.0000	1	Handle, Faucet
-	28708.0000	-	Faucet Repair Kit (Includes items 9,10,11 and 14)



## ELECTRICAL AND OPERATING CONTROLS

ITEM	PART NO.	QTY.	DESCRIPTION
1	-----	1	Tank Heater (See TANK AND COMPONENTS)
2	02540.0000	1	Wiring Harness, 120V (HW2 only. Not Illustrated)
	28144.0000	1	Wiring Harness, 240V (HW2A only. Not Illustrated)
3	-----	1	Level Probe (See TANK AND COMPONENTS)
4	21016.0008	1	Lead, Tank Heater To Limit Switch (HW2 only)
	20211.0100	1	Thermal Fuse, Tank Heater To Limit Switch (HW2A only)
5	-----	1	Limit Switch (See TANK AND COMPONENTS)
6	21016.0312*	1	Lead, Limit Switch To Thermostat
7	-----	1	Thermostat (See Liquid Level Control)
8	21016.0313*	1	Lead, Thermostat To Wire Nut
9	01658.0000*	2	Splice, Closed End, Red (Not Illustrated)
10	01637.0000	1	Power Cord (HW2 only. Not Illustrated)
11	00707.0000	1	Bushing, Strain Relief (HW2 only)
12	21000.0074	1	Lead, Red Wire Nut To Splice (Not Illustrated)
13	21001.0066*	1	Lead, White, Red Wire Nut To Splice (HW2 only. Not Illustrated)
	21003.0004*	1	Lead, Red, Red Wire Nut To Splice (HW2A only. Not Illustrated)
14	-----	2	Tank Warmer Blanket (See TANK AND COMPONENTS)
15	-----	1	Switch, Liquid Level (See TANK AND COMPONENTS)
16	03851.0000	2	Wire Nut, Gray (Not Illustrated)
17	-----	1	Solenoid Valve (See Liquid Level Control)
18	-----	1	Control Board (See Liquid Level Control)
19	01309.0000	1	Screw, Ground For Power Cord (HW2 only. Not Illustrated)
	01375.0000	1	Screw, Ground For Power Connector (HW2A only. Not Illustrated)
20	07070.0000	1	Bushing
21	06064.0000	1	Decal, Cord Warning (HW2 only. Not Illustrated)
22	-----	1	Decal, Electrical Warning (See HOUSING AND COVERS)
23	01908.0000	1	Power Connector (HW2A only)
	01362.0000	2	Screw, #4-40 x .50"
	01509.0000	2	Lockwasher, #4
	00937.0000	2	Nut, Hex, #4-40
24	00824.0000	1	Decal, Ground (HW2A only)
25	-----	1	Electrical Schematic (See HOUSING AND COVERS)

NUMERICAL INDEX

PART NO.	PAGE NO.	PART NO.	PAGE NO.	PART NO.	PAGE NO.	PART NO.	PAGE NO.
00310.0005	9	02497.0000	5	20762.0000	11		
00402.0001	9	02504.0001	5	21000.0074	15		
00445.0001	9	02504.0002	5	21001.0066	15		
00459.0000	9	02505.0000	5	21003.0004	15		
00463.0000	9	02505.0001	5	21016.0008	7,15		
00600.0000	13	02506.0000	5	21016.0312	15		
00601.0000	13	02506.0001	5	21016.0313	15		
00656.0000	5	02507.0001	5	21695.0001	9		
00657.0000	5	02508.0000	5	21814.0016	9		
00707.0000	15	02508.0002	5	21814.0031	9		
00720.0000	11	02508.0004	5	22249.0000	9		
00824.0000	15	02510.0005	5	22300.0750	9		
00831.0000	5	02510.0006	5	23721.0000	9		
00908.0000	7	02513.0000	7	25137.0002	5		
00912.0000	7,11	02515.0007	7	28005.0000	9		
00917.0000	5	02520.0000	7	28020.0000	9		
00929.0001	9	02525.0001	7	28021.0000	9		
00935.0000	9	02533.0000	9	28130.0000	9		
00937.0000	15	02534.1000	7	28130.0001	9		
00942.0000	7	02536.0000	7	28144.0000	15		
00943.0000	7	02537.0000	11	28479.0000	9		
00946.0000	7	02540.0000	15	28480.0000	9		
00970.0000	5,11	02542.0000	11	28481.0000	9		
00971.0000	7,9	02545.0000	5	28708.0000	13		
01060.0000	9	02546.0000	5	28918.0000	5		
01066.0000	9	02547.0000	5	28918.0001	5		
01075.0000	7	02575.0000	7	29329.1000	7		
01085.0002	9	03633.0000	7	38711.1001	11		
01111.0002	9	03803.0000	7	37881.0000	5		
01154.0000	9	03807.0000	7	38994.1000	7		
01154.0001	9	03851.0000	15				
01155.0000	9	04198.0001	5				
01219.0000	13	04221.0000	7				
01221.0000	13	06064.0000	15				
01268.0000	13	07048.1000	7				
01284.0000	13	07061.0000	13				
01303.0000	5	07070.0000	15				
01309.0000	15	07073.0001	11				
01311.0000	5,11	07074.1000	11				
01315.0000	7,11	07074.1009	11				
01327.0000	9	07075.0000	9				
01362.0000	15	07079.0000	13				
01375.0000	15	07094.0000	13				
01502.0000	9	07099.0000	13				
01509.0000	15	07105.0000	11				
01522.0000	7	07119.0000	13				
01532.0000	9	07127.0000	13				
01637.0000	15	10003.0000	11				
01658.0000	15	10261.0000	5				
01908.0000	15	10261.0001	5				
01929.0000	7	20203.0100	7				
02328.0003	11	20211.0100	7,15				
02329.0000	9	20526.1750	9				
02494.1000	7	20528.1750	9				